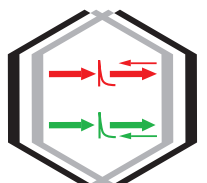


## MS-720C Thermal Imaging Weapon Scope



**MS-720C thermal imaging weapon scope is a system based on the ML-720C thermal imaging module which allows users to identify heat-emitting objects such as humans and recently-operated vehicles day or night, in rain, fog, dust and smoke.**

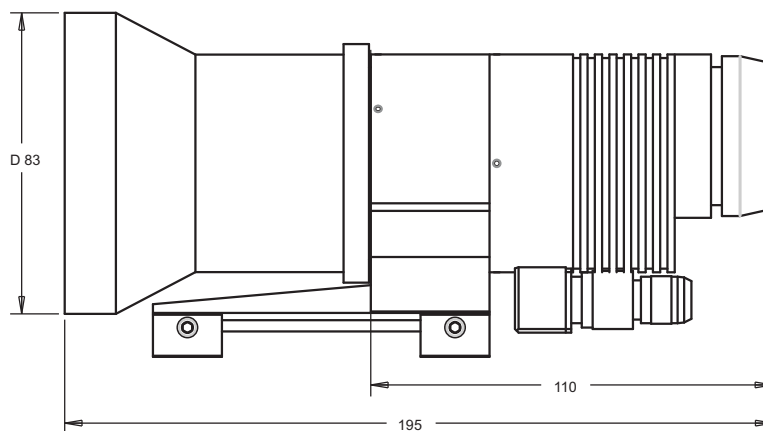


# MS-720C

## Thermal Imaging Weapon Scope

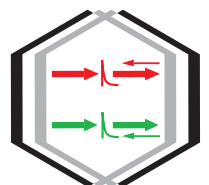
### USE AND DESCRIPTION:

- MS-720C thermal imaging weapon scope is based on ML-720C thermal imaging module
- Thermal images are displayed on the users 320x240 LCD eyepiece
- A video output port allows the image to be displayed on an external video monitor or video goggles
- The quick-detachable mount allows fast attachment to Mil-Std-1913 Picatinny rails (standard weaver with cross-slots) providing compatibility to a wide range of weapons



### TECHNICAL DATA:

Type:	Micro bolometer
Material:	Amorphous silicon
Thermal time constant:	4 ms
Resolution:	320x240
Pixel size:	45 um x 45 um
Spectral range:	7-14 um
Fill factor:	>80%
Dead pixel:	<1%
Response rate:	>4 mV/K @ 300K
NETD:	<100mK @ 300K (F=1.0)
Individual Eye Correction:	Diopter Ajustment
Rail Mount:	MIL-STD-1913 Picatinny Rail,
Power:	7 ÷ 9 V / 380 mA
Power consumption:	<3.5 W
Operating temperature:	-20°C ÷ 50°C
Storage temperature:	-40°C ÷ 60°C
Exterior:	Shock Resistant, Water Resistant
Dimension:	60x95x195
Weight:	500 g (excluded lens)



**METRODAT s.r.o.** is a development, production and distribution company established in 1990, that began operating in the field of technological lasers.

In recent years a significant focus has been placed on the development of military applications of laser technologies and the development of technical means for the fight against terrorism.

## PRODUCTS:



**LAWAREC LW5-8D**  
Laser Warning Receiver



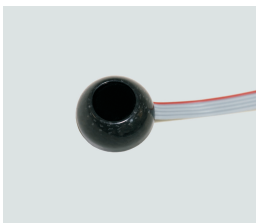
**LAWAREC LW5-12D**  
Laser Warning Receiver



**LAWAREC LW5-8D-4R**  
Laser/Radar Warning Receiver



**LAWAREC BRICK**  
Laser/Radar Warning Receiver



**LAWAREC BUTTON**  
Laser Warning Receiver



**GARVAN GV04**  
Laser Rangefinder



**ML-720C**  
Thermal Imaging Module



**MS-720C**  
Thermal Imaging  
Weapon Scope

---

**METRODAT, s.r.o.**  
Beblavého 8  
SK-811 01 Bratislava  
Slovak Republic

tel.: +421 905 70 70 71  
fax: +421 2 544 11 448  
e-mail: [metrodat@netax.sk](mailto:metrodat@netax.sk)  
web: [www.metrodat.eu](http://www.metrodat.eu)