

GARVAN Laser Rangefinder



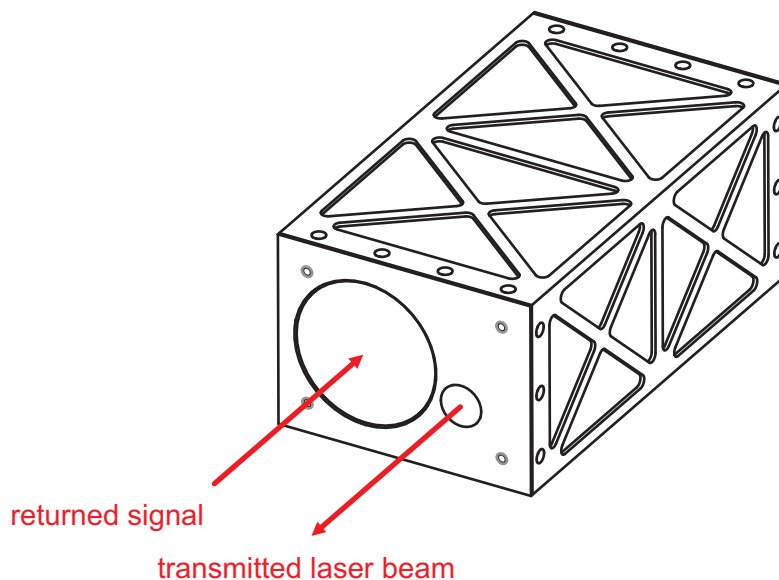
GARVAN is a low cost, compact laser rangefinder designed for the applications requiring remote control using external computer (superior system) via standard interface.

GARVAN Laser Rangefinder

USE AND DESCRIPTION:

GARVAN is a single pulse electro-optical rangefinder designed for accurate and instant measuring of the distance between the operator and selected targets.

The rangefinder consists of a laser transmitter, laser receiver, power supply, control and signal processing electronics. A laser pulse is generated by the transmitter and directed towards the target. This laser pulse hits the target and is reflected back to the rangefinder. The time taken by the pulse to travel from the rangefinder to the target and back is measured and automatically converted to distance.



GARVAN GV04 is an eye-safe version for measuring the distance of ground targets. It is designed mainly for an installation in the observation and recognition systems at the mobile platforms.

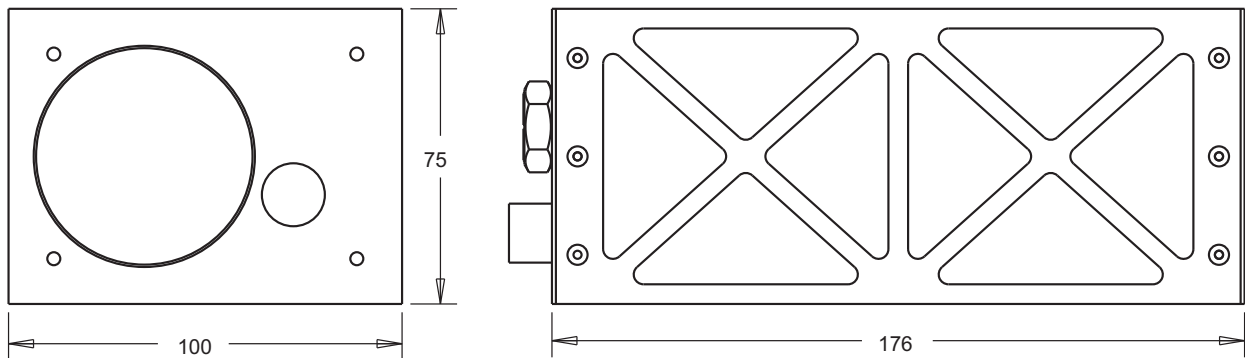
GARVAN GV04Y is a version for measuring the distance of aerial objects, where higher frequency of measuring is requested and where there are no safety requirements for the eye protection.

The control and evaluation system of this rangefinder is based on the digital signal processor (DSP) which enables the operator to optimize parameters for given application. The image of returned signal can be sent to the superior system for the further analyse.



GARVAN

BASIC DIMENSIONS:



TECHNICAL DATA:

GARVAN GV04

GARVAN GV04Y

Transmitter

Laser Type
Wavelength
Pulse Energy
Repetition Rate
Beam Divergence

Erbium Glass
1.54 μm
8 mJ
6 ppm
0.8 mrad

Nd:YAG
1064 nm
50 mJ
12 ppm
1.2 mrad

Receiver

Aperture
Detector Type
Extinction

48 mm
InGaAs APD
30 dB

48 mm
Si APD
30 dB

Range Data

Minimum
Maximum
Accuracy
Range Logic
Range Gate

100 m
10000 m
3.75 m
First 5 Ranges, Last Range
Min to Max Range,
10 m Increments

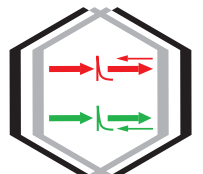
100 m
20000 m
3.75 m
First 5 Ranges, Last Range
Min to Max Range,
10 m Increments

General Information

Weight
Dimensions
Communication
Laser Safety
Power

2.1 kg
100 x 75 x 176 mm
RS 232 RS 422
Class 3A
18 to 32 V DC

2.1 kg
100 x 75 x 176 mm
RS 232 RS 422
Class IV
18 to 32 V DC



METRODAT s.r.o. is a development, production and distribution company established in 1990, focused on the development of military applications of laser technologies and the development of technical means for the fight against terrorism.

PRODUCTS:



LAWAREC LW5-8D
Laser Warning Receiver



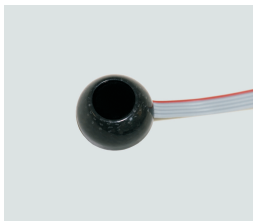
LAWAREC LW5-12D
Laser Warning Receiver



LAWAREC LW5-8D-4R
Laser/Radar Warning Receiver



LAWAREC BRICK
Laser/Radar Warning Receiver



LAWAREC BUTTON
Laser Warning Receiver



GARVAN GV04
Laser Rangefinder



ML-780B/C-R
Ruggedized Thermal Imaging Module



MS-780C
Thermal Imaging Weapon Scope

METRODAT, s.r.o.
Beblavého 8
SK-811 01 Bratislava
Slovak Republic

tel.: +421 905 70 70 71
fax: +421 2 544 11 448
e-mail: metrodat@netax.sk
web: www.metrodat.eu

